

Technical Data Sheet

Shower Systems

TAVISTOCK

No.	Description	Code	Fixings Included
1	Lansdown 2F Exposed Shower System	SLD1701, SLD1702	YES



Chrome Plated



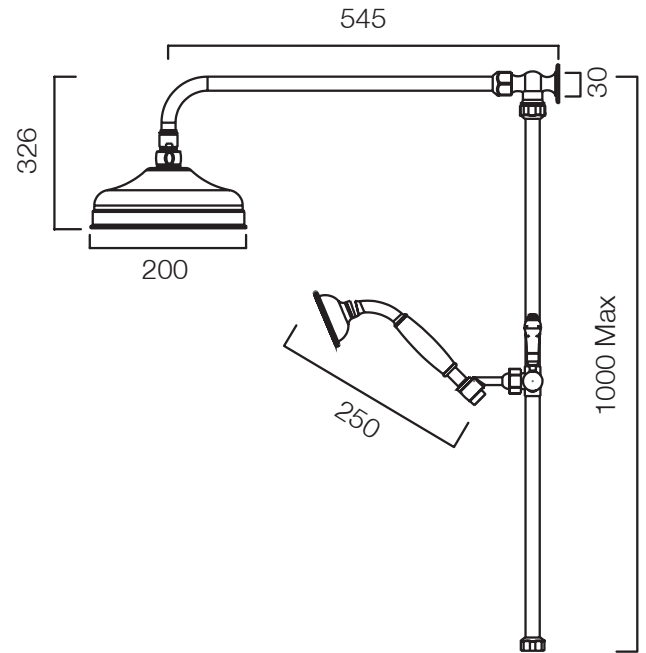
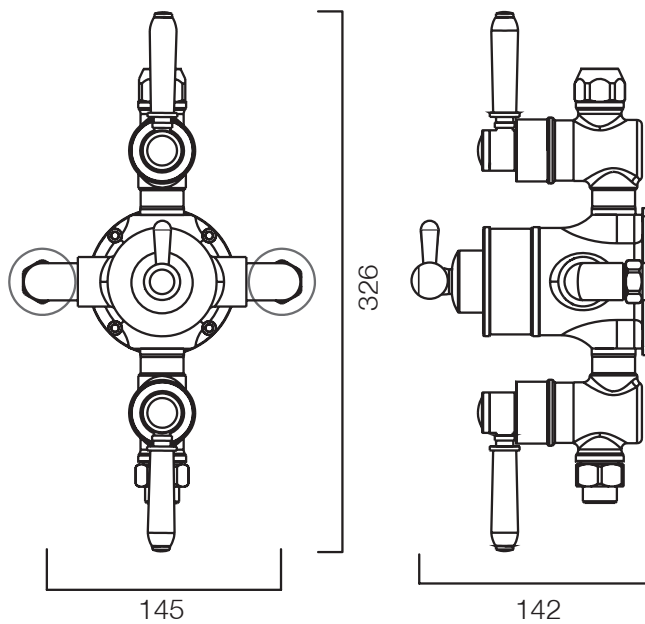
Brushed Brass PVD

FLOW RATE DATA IS TESTED UNDER LABORATORY CONDITIONS: ACTUAL FLOW RATE MAY VARY DEPENDING ON DOMESTIC SUPPLY AND ACCESSORIES

Minimum Pressure:	1 BAR
Inlet Pressure	Flow Rate (l/min)
0.5 bar	9.6
1 bar	14.7
2 bar	21.9
3 bar	26.1

Dimensions - Overview

Diagrams not to scale. All dimensions in mm (tolerance of +/-5mm)



FAQs

How tall is the riser rail? 1000mm - this can be cut down if necessary

How long is the shower hose? 1.5m

What is the recommended minimum pressure for the valve? 1.0bar

What is the valve connection size? 1/2" suitable for 15mm pipework

Components

- Fixed Shower Head - Brass
- Shower Arm - Stainless Steel
- Wall Elbow - Brass
- Riser Rail - Stainless Steel
- Slider - Stainless Steel
- Shower Handset - Brass
- Handset Outlet - Brass
- Shower Hose - Stainless Steel
- Exposed Valve - Brass Valve